



12/20 CALIBER SEMI AUTO
USER MANUAL

www.mkaarms.com



Since you prefer our MKA 1919 Match model, you have purchased a quality MKA 1919 product. Your weapon will serve you for many years if you provide the necessary care and maintenance. Instructions and pictures of your weapon are included in the manual. We wish you to enjoy using your gun.

Please read the instructions in this manual thoroughly in order to get to know your gun quickly and safely.

MKA 1919 products are manufactured in accordance with TSE TS 870 IS standards.

WARNING

MKA 1919 shall not be liable for damages arising from the use of MKA 1919 products in violation of the instructions and legal regulations given below; imprudent use, use by someone other than the license holder, unauthorized or unauthorized changes to the product, non-standard cartridge usage or use of cartridges that do not conform to the product specifications, maintenance or repair by unauthorized persons and use and similar reasons. MKA 1919 is not liable for any kind of injury or property damage caused by malicious intent or negligence in the use of the products.

WARNING

The pictures, photographs and descriptions contained in this user manual are informational only. The manufacturer has the right to apply the modifications to the products at any time and without prior notice, or to make any modifications required for any production and commercial requirements.

12/20 CALIBER SEMI AUTO



SAFETY RULES

- 1) READ THE MANUAL BEFORE YOU START USING YOUR SHOTGUN.**
- 2) MAKE SURE THAT THE MAGAZINE FED AND THE BARREL ARE CLEAN BEFORE USING YOUR SHOTGUN.**
- 3) ALWAYS HOLD YOUR GUN BARREL IN A SAFE DIRECTION.**
- 4) USE ABSOLUTELY ORIGINAL, DRY, CLEAN, ACCURATE CALIBER AND PROPER PRESSURE CARTRIDGES.**
- 5) KEEP YOUR GUN IN A SAFE PLACE TO PREVENT CHILDREN AND UNAUTHORIZED PERSONS FROM REACHING IT.**
- 6) USE ABSOLUTELY EYE, EAR AND BODY PROTECTIVE ACCESSORIES DURING SHOOTING.**
- 7) KEEP YOUR FINGERS AWAY FROM THE TRIGGER, EVEN WHEN IN THE SAFETY POSITION, WHEN FILLING AND DISCHARGING THE SHOTGUN.**
- 8) THE MECHANICAL AND STRUCTURAL PROPERTIES OF THE SHOTGUN SHOULD BE PRESERVED AND NO CHANGES SHOULD BE MADE ON IT.**
- 9) AFTER EVERY USE OF YOUR FIRE SHOTGUN, BE SURE TO CLEAN AND MAINTAIN IN ACCORDANCE WITH THE MAINTENANCE GUIDELINES IN THE OPERATING INSTRUCTIONS.**
- 10) LEARN THE RELEVANT LAWS AND REGULATIONS OF YOUR COUNTRY'S REGARDING THE TRANSPORT, POSSESSION AND USE OF FIREARMS AND ABSOLUTELY PERFORM ALL NECESSARY PROCEDURES.**

CONTENTS	PAGE NO.
Safety Rules _____	4
Contents _____	5
Technical Specifications _____	6
Operation Principle Of The Shotgun _____	7
Important Warnings _____	8
Dismantling Your Shotgun _____	9 - 10 - 11
Use Of Ammunition _____	12
Choke _____	13
Main Parts Of Your Shotgun _____	14



TECHNICAL SPECIFICATIONS

MKA 1919 (12-20 CALIBER) SEMI AUTO MAGAZINE FED SHOTGUN

Model: MKA 1919
 Caliber: 12 Caliber
 Operation mode: Semi Auto
 Weight: (without Magazine) 4200 gr
 Length: 950 mm
 Height: 230 mm
 Barrel Length: 500 mm
 Sight Range: 430 mm
 Magazine Weight (empty): 350 gr
 Magazine Capacity: 5-10 cartridges

Model: MKA 1919
 Caliber: 20 Caliber
 Operation mode: Semi Auto
 Weight: (without Magazine) 3700 gr
 Length: 950 mm
 Height: 230 mm
 Barrel Length: 500 mm
 Sight Range: 430 mm
 Magazine Weight (empty): 280 gr
 Magazine Capacity: 5-10 cartridges

SHOTGUN WORKING PRINCIPLE

With the first motion given by the gas-kinetic smoothbore semi-automatic magazine shotgun chocking handle the mechanism (action) carrier handle is moved backwards with action (mechanism). With this movement of the mechanism, it enables the storage of movement energy and the establishment of a trigger group in the recoil spring. Mechanism is released forward with mechanism (action) carrier handle; with this movement, the mechanism drives the first cartridge to the chamber. By touching the trigger, the ignition system is actuated and the cartridge fires. Explosion caused by the gunpowder gas burned by the ignition of the cartridge capsule in the chamber; this action allows the cartridge plug and buckshot or bullet to move at high speed in the barrel. Some of the high-pressure gas generated in the barrel by the intensity of the explosion passes through the gas holes in the barrel, affecting the surface of the piston so that the mechanism moves back. This motion continues until the revolving head lock is released by damping the recoil spring so that the empty shell is thrown out. With the opening of the damped recoil spring, the mechanism takes the filled cartridge and drive to the chamber then the shotgun gets ready position again. This process is repeated automatically at every touch of trigger.

DISMANTLING OF SHOTGUN FOR MAINTENANCE AND CLEANING

IMPORTANT WARNING OF THE MANUFACTURER

This shotgun is designed to work with original pieces. It is your responsibility to ensure that the disassembled parts are replaced or tampered with, not installed correctly. In order for your shotgun to operate properly and be used safely, it is necessary to use parts manufactured by the manufacturer as spare parts. The owner of the rifle is responsible for all the problems that may arise as a result of the disassembly of the weapon or the failure of the parts not to be fitted correctly after replacement of the spare parts.

⚠️ LUBRICATION WARNING: Do not use grease or similar thick oil in the maintenance of your rifle, use thin gun oil and spray gun oil. Make sure the inside of the barrel and the cartridge chamber are clean and dry before you shoot. Never lubricate the cartridges. Firing a shotgun with any obstacle in the barrel may damage the shotgun and cause death or injury. It is the responsibility of the gun owner to have proper maintenance and cleaning of the shotgun.

⚠️ MAINTENANCE WARNING:

STEP 1) Dismantle your shotgun for maintenance.

STEP 2) Use appropriate ramrod, clean the barrel several times back and forth by installing a solvent fabric on the end of the ramrod. Then repeat the same process with a dry cloth and clean all the dirt and residue inside the barrel. If there are lead residues on the piston and barrel surface, clean with scotch sandpaper.

STEP 3) If there is lead residual in the barrel after cleaning with the ramrod, then the brass wire brush should be soaked in the solvent and brushed inside the barrel. If lead residuals are present, step 2 should be repeated after cleaning.

STEP 4) The mechanism, the rotating head and the inside of the Box magazine must be slightly lubricated with fine gun oil.

STEP 5) Reinstall the gun and wipe the outer metal surfaces and the inside of the barrel with a light oily piece of fabric.

STEP 6) Place the rifle at a safe place and keep it in a locked place where children and unauthorized persons cannot reach it. Never store your gun in a leather case, because even if it looks dry, it gets damp.

DISMANTLE OF SHOTGUN

- 1) Before the disassembly process starts, the barrel of the shotgun must show a safe direction and your fingers must be far away from the trigger, outside the trigger and trigger guard. The shotgun must be absolutely empty.
- 2) Press the magazine release latch and eject the magazine. (Figure 1)
- 3) Retract the charging handle and lock the mechanism back in the open position by pressing the mechanism stop latch. Visually and physically check to confirm that the chamber is empty while the mechanism is in the locked position. Also make sure that the magazine slot is empty. (Figure 2-3)
- 4) Remove the muzzle. (Figure 4)
- 5) Remove the Barrel nut by wrench (Figure 5-6)



(Figure 1)



(Figure 2)



(Figure 3)



(Figure 4)



(Figure 5)

- 6) Pull the handguard securing plate out and release it on the barrel.(Figure 7)
- 7) Remove the gas discharge lock nut by turning it clockwise. (Figure 8)
- 8) Remove gas Discharge nut by turning it counter clockwise. (Figure 9)
- 9) Remove the gas discharge spring. (Figure 10)
- 10) Remove the gas evacuation ring. (Figure 11)



(Figure 6)



(Figure 7)



(Figure 8)



(Figure 9)



(Figure 10)



(Figure 11)

DISMANTLE OF SHOTGUN

- 11) Dismantle the barrel by shaking slightly. (Figure 12)
- 12) Remove the piston over the recoil shaft by sliding. (Figure 13)
- 13) Remove charging handle (Figure 14-15)
- 14) Pull the mechanism carrier arm forward to remove the action of the rifle. (Figure 16)
- 15) Separate the mechanism (action) group and the mechanism carrier. (Figure 17)



(Figure 12)



(Figure 13)



(Figure 14)



(Figure 15)



(Figure 16)



(Figure 17)


Note: The assembly of the weapon is carried out by reversing the steps in the dismantling process.


USE OF AMMUNITION

All shotgun shells produced in accordance with the standards, domestic or imported bullet and steel buckshot can be used together with your gun. Since the chamber is designed to be 76 mm cartridge wide, your gun can be used with all cartridges suitable for standard commercially produced 70 – 76 mm. It should not be forgotten that only standard sizes of original cartridges should be used in suitable sizes. It is important to know that the use of overpressure cartridges may lead to wear and tear on the mechanical parts as your gun operate with gas pressure. For this reason, pressure cartridges that will affect the normal operation of the shotgun should not be used.

USE OF AMMUNITION WARNING

We will not be held liable for any damage, death or property damage caused by use of cartridges other than caliber and metric, originally designed for your shotgun, or using cartridges other than standard, handmade, handcrafted, or incorrectly manufactured cartridges, and this is a legal warning.

 **Important Warning:** Unauthorized generation of gas or excessive pressure from firearms can cause gunshot damage or death or serious injury due to any reason. These adverse events can often be caused by old, defective, inappropriate cartridge usage, excessive powder or buckshot filling, as well as obstructions in the barrel or chamber. It is extremely dangerous to use cartridges or buckshot with pressures exceeding industrial standards.

 **Lead Exposure Warning:** Firing pin unventilated environments, cleaning the weapon or dealing with ammunition can cause lead exposure. Lead and its components are known to cause birth defects, infertility, cancer or some other serious health problems and injuries. Always have adequate ventilation and thoroughly wash your hands and contact limbs whenever you are exposed to it.

BARREL MUST BE CLEANED AND RE-LUBRICATED EVERY 50 SHOTS OF BULLET.

1) Slug barrels (External Choke Barrel)




Slug barrel is flat and without choke (impact). It is more suitable for single shot and bb shot (bullet) It can also be used in buckshot shots.

2) Mobile Choke Barrels (Inner Choke Barrel)

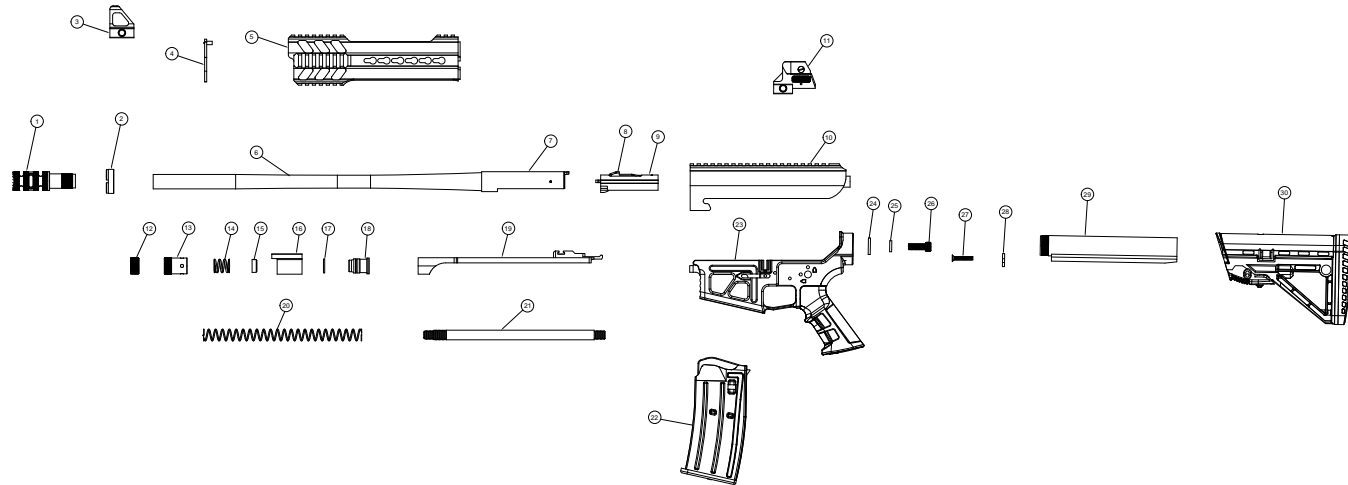
Your shotgun is supplied with 3 internal chokes as, 1-3-5 numbers. Each choke is determined by notches on it. (no: 1-1 notch / no: 3 - 3 notch / no: 5 - 5 notch) There is also a choke key in the choke kit box. When you want to install or change a choke, the shotgun must be empty, check the safety of the shotgun and make sure that the rifle is directed to a safe direction. It is enough to attach and fix it to the edge of barrel then screw it. Tighten with a choke wrench to securely place it in place of choke.

CHOKE SCREWING WARNING

Never look directly at the barrel of your shotgun, or do not install or change any chokes while the shotgun is full no matter which position the safety latch is. Do not shoot without screwing and placing the choke. If the teeth on the choke or the teeth inside the barrel are damaged, they should never be used. In such cases, the barrel will be damaged and the shot itself may burst at high speed in the barrel, leading to death, serious injury and material damage.

CHOKE VALUE	TSE 870	CHOKE NAME	USAGE AREA	MARKING
	4/4	FULL CHOKE	Long-distance hunting (Duck, Goose, etc.)	
	2/4	MOD	Medium Range Hunting (Woodcock, Quail, etc.)	
	CYLINDER	CYLINDER	Short range hunting	

MAIN PARTS OF SHOTGUN



- 1- FLASH HIDER
- 2- BARREL NUT
- 3- FRONT SIGHT SET
- 4- HANDGUARD FRONT COVER
- 5- HANDGUARD
- 6- BARREL
- 7- BARREL EXTENSION
- 8- LOCKING BLOCK
- 9- BOLT
- 10- UPPER RECEIVER

- 11- REAR SIGHT SET
- 12- GAS REGULATOR CONTRA NUT
- 13- GAS REGULATOR NUT
- 14- GAS ADJUSTMENT SPRING
- 15- GAS REGULATOR RING
- 16- BARREL LUG
- 17- GAS PISTON RING
- 18- GAS PISTON
- 19- BOLT CARRIER
- 20- RECOIL SPRING

- 21- OP. ROD
- 22- MAGAZINE
- 23- LOWER RECEIVER
- 24- UPPER RECEIVER FIXING SCREW WASHER
- 25- SERRATED WASHER
- 26- UPPER RECEIVER FIXING SCREW
- 27- BUFFER TUBE FIXING SCREW
- 28- SLING ADAPTER
- 29- BUFFER TUBE
- 30- ADJUSTABLE TELESCOPIC STOCK



WARNING

Your shotgun is manufactured in precision gauges, so you need to take some time to work with your light target cartridges for a perfect run. Medium gravity cartridges should be used throughout the run in period. You cannot use the new gun with low gram cartridges because and you will face not discharging empty shell situation.

RUN IN TIME;

In this process, we recommend that you use 10-12 boxes of 32-40 gr for 12 caliber/ 12-16 gr for 20 caliber standard hunting cartridges.

Once the run-in period is complete, you can use low weight target cartridges.

NOTES :



NOTES :



Husan Metal Teknolojileri Sanayi ve Ticaret A.Ş.
Esentepe Mh. 40522. Sk. No:2B P.K. 42700
BEYŞEHİR / KONYA - TURKEY
info@husanarms.com - www.husan.com.tr

Tel: +90 332 511 04 00 - 01 - 02 - 03
Fax : +90 332 511 03 92

